

为您的产品保驾护航

PRODUCT DATASHEET

Blade Fuses

JFN1109 Mini Blade Fuse Devices

Description

The JFN1109 Mini Blade Fuses are the standard for vehicle circuit protection. Its miniature design meets the need for more circuits to be protected while utilizing less space, and its ability to cope with high temperatures in adverse environments makes the JFN1109 Mini blade fuse of recommended choice for protection.

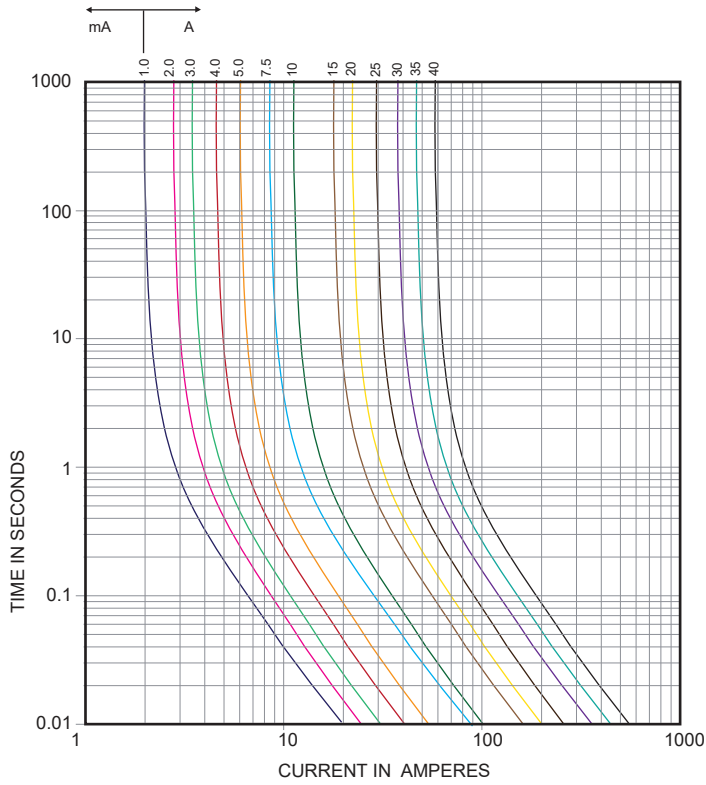

Performance Specification

Model	Current Rating (A)	Interrupting Rating	Voltage Rating	Typ. Voltage Drop(mV)	Cold Resistance (mΩ)	Housing Material Color
JFN1109-1A	1.0	1000A @32VDC	32V DC	225	64.0	灰绿色
JFN1109-2A	2.0			200	36.6	灰色
JFN1109-3A	3.0			175	31.24	紫色
JFN1109-4A	4.0			175	23.5	玫瑰色
JFN1109-5A	5.0			175	17.0	橙色
JFN1109-7.5A	7.5			150	11.3	褐色
JFN1109-10A	10.0			125	8.60	红色
JFN1109-15A	15.0			125	6.25	浅蓝色
JFN1109-20A	20.0			125	4.50	黄色
JFN1109-25A	25.0			110	3.67	透明色
JFN1109-30A	30.0			100	3.10	浅绿色
JFN1109-35A	35.0			90	2.75	深紫色
JFN1109-40A	40.0			85	2.43	粉红色

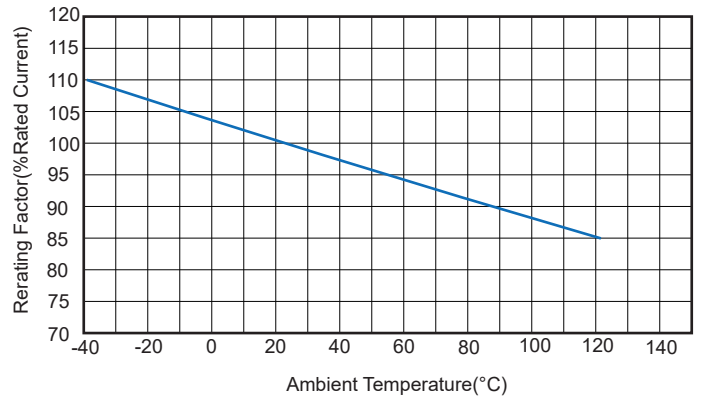
Time Current Characteristics

% of Rating	Opening Time
110	4h min
135	0.75s~1800s
200	0.15s~5s
350	0.04s~0.5s
600	0.02~0.1s

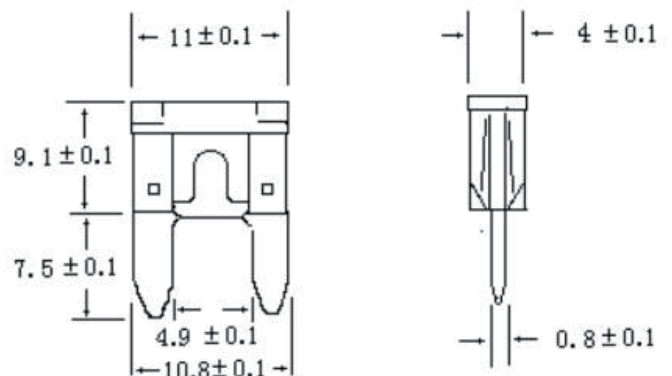
Time-Current Characteristic Curves



Temperature Derating Curve



Dimensions (mm)



Specification

Component level Temperature Range	-40°C~+125°C
System Level Temperature Range	-40°C~+105°C
Terminals	zinc alloy
Housing Material	PA66

105°C and 85°C are typical system level temperature requirements.